

SB 26-12/SB 26-12i

12V 26.0Ah

VdS: G105020

SB 26-12/SB 26-12i is a general purpose battery with 6-9 years in standby service or more than 500 cycles at 50% depth of discharge in cycle service.

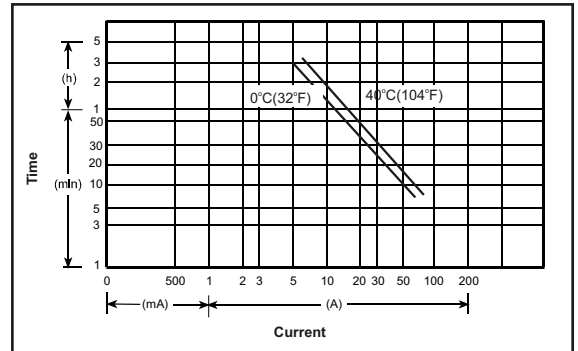
☆ SPECIFICATION

| | |
|---|------------------------------|
| ● NOMINAL VOLTAGE | : 12 V |
| ● NOMINAL CAPACITY(20 hr) | : 26.0 Ah |
| ● DIMENSIONS | |
| TOTAL HEIGHT | : 125 mm (4.92 inches) |
| CONTAINER HEIGHT | : 125 mm (4.92 inches) |
| WIDTH | : 175 mm (6.89inches) |
| LENGTH | : 166 mm (6.54 inches) |
| ● WEIGHT | : APPROX 9.2 Kg (20,24 lbs) |
| ● CONTAINER MATERIAL | : UL94HB ABS |
| ● INTERNAL RESISTANCE(25°C , 77 °F) | : ~10m |
| ● DISCHARGE CAPACITY UNDER DIFFERENT TEMPERATURES | |
| 40°C | : ~102% |
| 25°C | : ~100% |
| 0 °C | : ~85% |

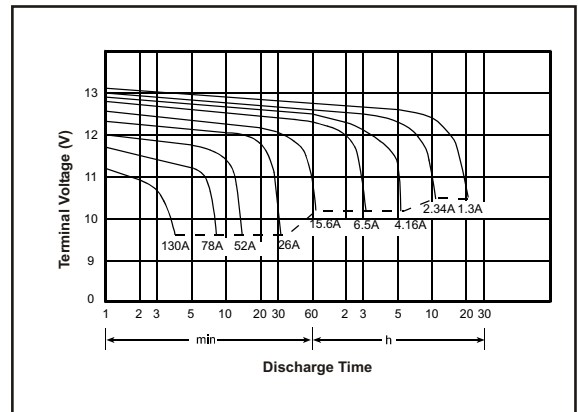
☆ CHARACTERISTICS

| | |
|--|-------------------|
| ● CAPACITY 25 °C / 77 °F | |
| 20 hr @ 1.30 A | : 26.0 Ah |
| 5 hr @ .4.16 A | : 20.8 Ah |
| 1 hr @ 15.6 A | : 15.6 Ah |
| 1 C @ 26 A | : 13.0 Ah |
| ● CHARGING VOLTAGE (25°C , 77 °F) | |
| STANDBY USE | : 13.65V±0.15 V |
| CYCLE USE | : 14.7V±0.3 V |
| ● MAX DISCHARGE CURRENT | : 195 A (5 sec) |
| ● MAX CHARGING CURRENT | : 7.8 A |
| ● SELF-DISCHARGE RESIDUAL CAPACITY(25°C , 77 °F) | |
| AFTER 3 MONTHS | : ~90% |
| AFTER 6 MONTHS | : ~82% |
| AFTER 12 MONTHS | : ~64% |

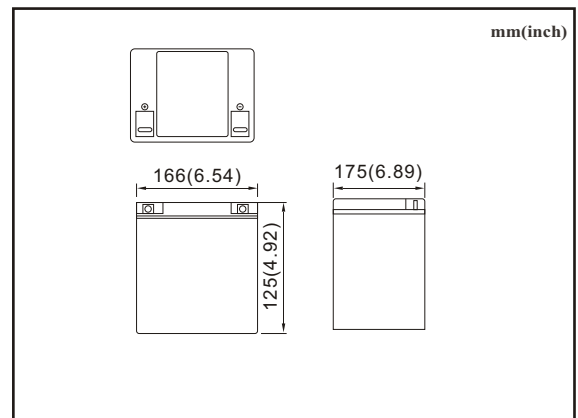
☆ Discharge Current vs Time



☆ Discharge Characteristics @25 °C (77 °C)



☆ Dimensions



☆ Terminal

