

# SBV 12-12 / 12-12L

## (12V 12Ah) VdS: G 108005

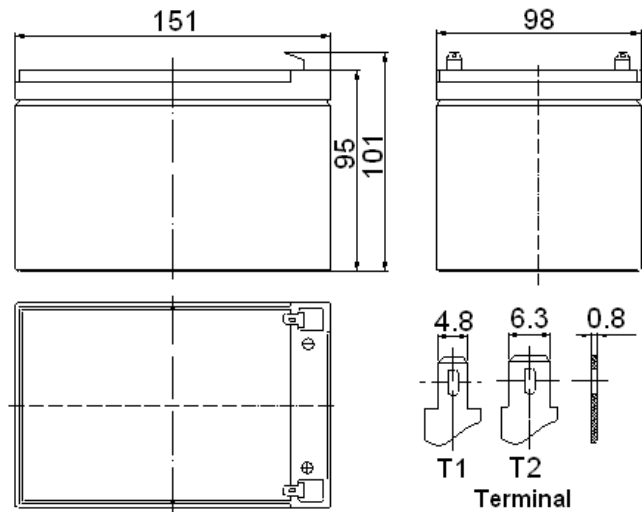
General Purpose battery with 6-9 years design life (EUROBAT)

Status: 05-2014

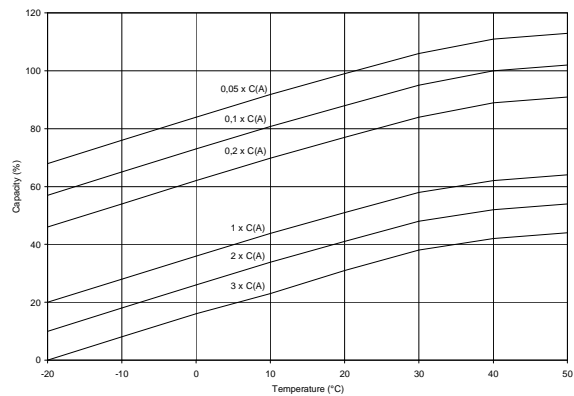
### Specifications

Nominal Voltage		12V
Capacity (20hr@25°C@1.75V/C)		12Ah
Dimensions	Length	151mm (5.94 inch)
	Width	98mm (3.86 inch)
	Height	95mm (3.74 inch)
	Total Height	101mm (3.98 inch)
Approx. Weight		3.80 kg (8.38 lbs)
Maximum charging current		3.6 A
Maximum discharge current		180A (5sec.)
Internal resistance (Fully charged, 25°C)		Approx. 19 mΩ
Capacity affected by temperature (10hr)	40°C	102%
	25°C	100%
	0°C	85%
	-15°C	65%
Self-discharge (25°C)	3 month	Remaining Capacity: 91%
	6 month	Remaining Capacity: 82%
	12 month	Remaining Capacity: 65%
Nominal operating temperature		25°C ±3°C (77°F±5°F)
Operating temperature range		-15°C ~ 50°C (5°F ~ 122°F)
Float charging voltage (25°C)		13.65 to 13.80V
Cyclic charging voltage (25°C)		14.50 to 14.90V
Absorbent glass mat technology		
ABS (UL94-HB) container		<b>Recognized by UL &amp; CE</b>

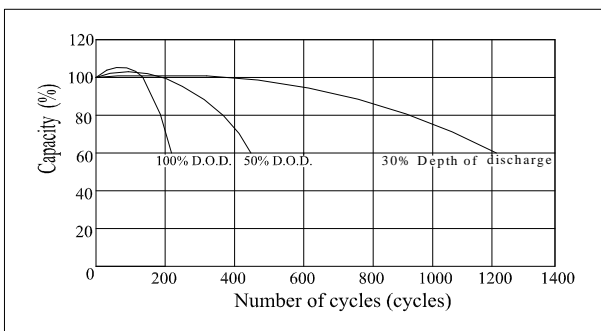
### Dimensions



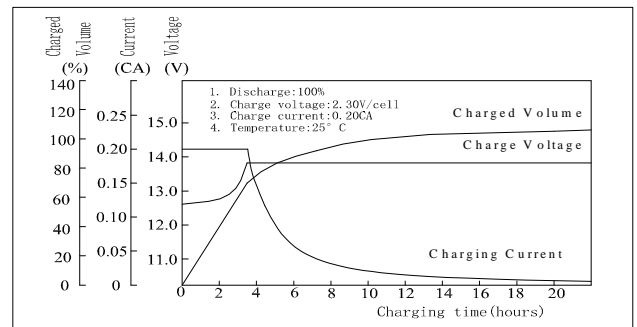
### Temperature Effects in Relation to Battery Capacity



### Cycle Life (25°C)



### Charging Characteristics (25°C)



### Constant Current Discharge Characteristics (Ampere per Battery, 25°C)

F.V/TIME	5min	10min	15min	30min	1h	3h	5h	10h	20h
9.60V	47.5	31.4	24.9	13.8	8.13	3.22	2.16	1.17	0.63
10.2V	45.1	29.9	23.9	13.2	7.80	3.18	2.13	1.16	0.63
10.8V	42.4	28.1	22.7	12.5	7.41	3.11	2.08	1.15	0.63

### Constant Power Discharge Characteristics (Watt per Battery, 25°C)

F.V/TIME	5min	10min	15min	30min	1h	3h	5h	10h	20h
9.60V	530	355	284	158	94.1	38.3	25.8	14.0	7.61
10.2V	504	337	272	151	90.3	37.7	25.4	13.9	7.55
10.8V	473	317	259	144	85.8	37.0	24.9	13.9	7.50

All mentioned values are average values.